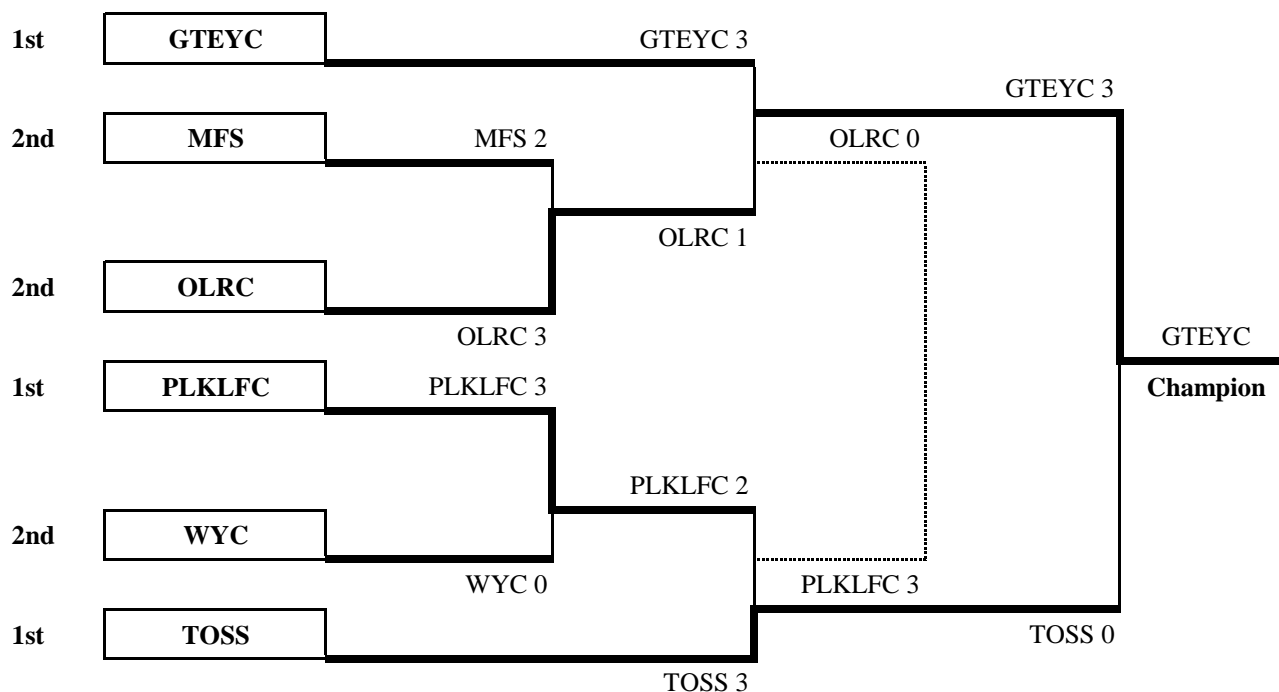


Inter-School Badminton Competition 2022-2023  
 Division Two (Kowloon)  
Girls B Grade Result



<b>1st</b>	GTEYC (18)	<b>4th</b>	OLRC (10)
<b>2nd</b>	TOSS (14)	<b>5th</b>	MFS (8)
<b>3rd</b>	PLKLFC (12)	<b>5th</b>	WYC (8)

To : Division Two (Kowloon) Qualified Schools  
 Date : 5 December 2022

Ma Man Hong  
 Convenor

Inter-School Badminton Competition Division Two (KLN) 2022-2023  
Girls B Grade Result

**Group 1**

No	School	1						League Points :				Pt	Po	DP	Re			
		1 Vs 4	2 Vs 3	3 Vs 1	4 Vs 2	5 Vs 2	6 Vs 4	2	0	1	-2							
1	OLRC	3 W		2 L		3 W		3	2	0	1	0	5	2	F	*		
2	STCC		1 L		0 L	2 L		3	0	0	3	0	3	4	4			
3	HTC		3 W	3 W				1	L	3	2	0	1	0	5	3	6	*
4	TOSS	2 L			3 W			3	W	3	2	0	1	0	5	1	F	*

\* According to the general rules of inter-school badminton competition

\*3.3 OLRC = (3+2) - (2+3) = 0

HTC = (3+1) - (2+3) = -1

TOSS = (2+3) - (3+1) = 1

**Group 2**

No	School	1						League Points :				Pt	Po	DP	Re			
		1 Vs 4	2 Vs 3	3 Vs 1	4 Vs 2	5 Vs 2	6 Vs 4	2	0	1	-2							
1	PLKNPL	1 L		1 L		0 L		3	0	0	3	0	3	4	4			
2	PLKLFC		3 W		2 L	3 W		3	2	0	1	0	5	1	F	*		
3	LCCS		1 L	3 W				3	W	3	2	0	1	0	5	3	6	*
4	MFS	3 W			3 W			2	L	3	2	0	1	0	5	2	F	*

\* According to the general rules of inter-school badminton competition

\*3.3 PLKLFC = (3+2) - (1+3) = 1

LCCS = (1+3) - (3+2) = -1

MFS = (3+2) - (2+3) = 0

**Group 3**

No	School	1										League Points :				Pt	Po	DP	Re		
		5 Vs 2	4 Vs 3	3 Vs 1	4 Vs 5	4 Vs 2	5 Vs 1	1 Vs 4	2 Vs 3	1 Vs 2	5 Vs 3	2	0	1	-2						
1	GTEYC			3 W			3 W	3 W		-			3	3	0	0	0	6	1	F	
2	UCC-KE	-				-				-			0	0	0	0	0	-	-	-	WD
3	CYT		0 L	0 L								3	W	3	1	0	2	0	4	3	6
4	WYC		3 W		3 W	-		2	L					3	2	0	1	0	5	2	F
5	PLKCHYT	-			0 L		0 L					0	L	3	0	0	3	0	3	4	4

Legend: P=Play W=Win D=Draw L=Loss WO=Walk Over

Pt=Points Po=Position DP=Division Points Re=Remarks DNP=Did Not Participate

To: Schools Concerned  
Date: 25 November 2022

Ma Man Hong  
Convenor