

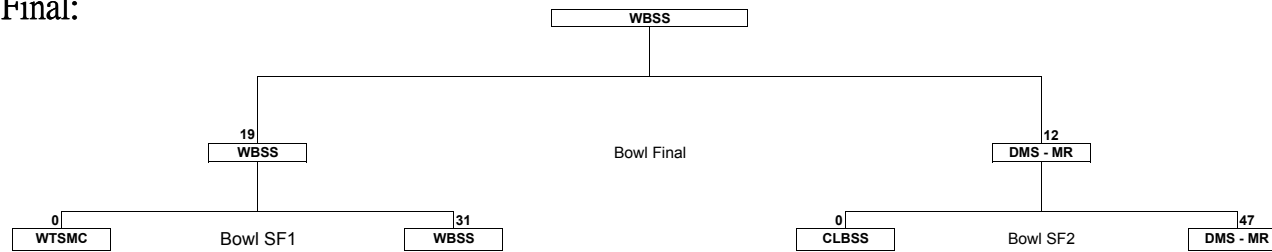
## Inter-School Rugby Sevens Championships 2011-2012

Jointly Presented by : HK Island & Kln Secondary Schools Regional Committee, HKSSF &  
Hong Kong Rugby Football Union

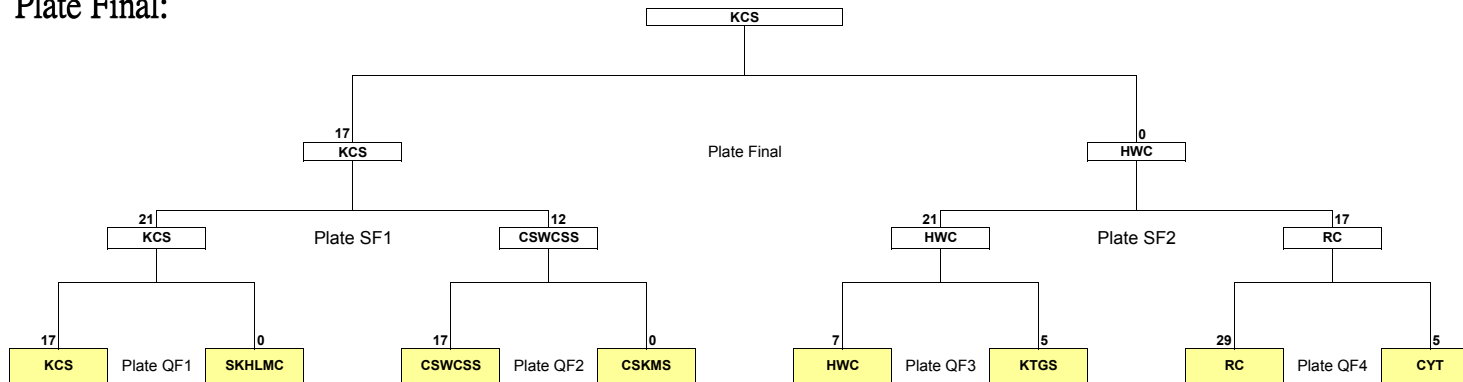
Sponsored by : BOCHK Charitable Foundation

### HK Island & Kln Region Preliminary Tournament Results

#### Bowl Final:



#### Plate Final:



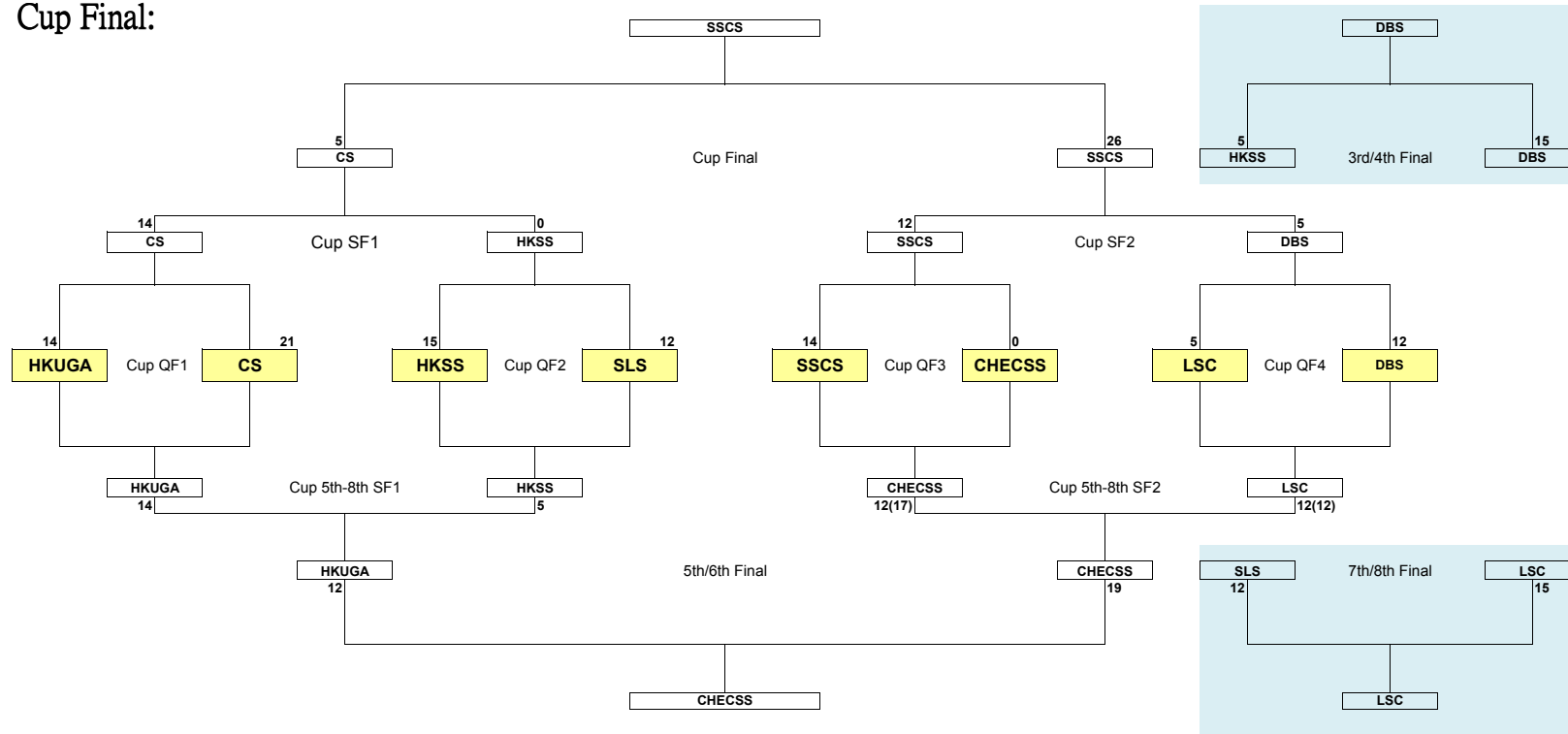
## Inter-School Rugby Sevens Championships 2011-2012

Jointly Presented by : HK Island & Kln Secondary Schools Regional Committee, HKSSF &  
Hong Kong Rugby Football Union

Sponsored by : BOCHK Charitable Foundation

### HK Island & Kln Region Preliminary Tournament Results

#### Cup Final:



**Inter-School Rugby Sevens Championships 2011-2012**  
 Jointly Presented by HK Island & Kln Secondary Schools Regional Committee, HKSSF & Hong Kong Rugby Football Union  
 Sponsored by BOCHK Charitable Foundation  
HK Island & Kln Region Preliminary Tournament Results

Date: 2-5-2012

Grade: B&C

Format: 7-a-side

Match Time: 7min halves, 1 min break

<b>Pool A :</b>	HKUGA	SKHLMC	
<b>Pool B :</b>	WTSMC	CSWCSS	CS
<b>Pool C :</b>	CYT	HKSS	CSKMS
<b>Pool D :</b>	HWC	WBSS	SLS
<b>Pool E :</b>	KTGS	CLBSS	SSCS
<b>Pool F :</b>	KCS	RC	CHECSS
<b>Pool G :</b>	DMS-MR	DBS	LSC

Pitch 1						Pitch 2						Pitch 3					
Time	Game	Pool	Team (Tent 1)	RESULT	Team (Tent 2)	Time	Game	Pool	Team (Tent 1)	RESULT	Team (Tent 2)	Time	Game	Pool	Team (Tent 1)	RESULT	Team (Tent 2)
0900 - 0920	1	B	WTSMC	0 - 24	CSWCSS	0900 - 0920	1	C	CYT	5 - 10	HKSS	0900 - 0920	1	D	HWC	12 - 12	WBSS
0920 - 0940	2	E	KTGS	37 - 0	CLBSS	0920 - 0940	2	F	KCS	5 - 10	RC	0920 - 0940	2	G	DMS-MR	0 - 27	DBS
0940 - 1000	3	A	HKUGA	21 - 0	SKHLMC	0940 - 1000	3	B	CSWCSS	5 - 14	CS	0940 - 1000	3	C	HKSS	12 - 5	CSKMS
1000 - 1020	4	D	WBSS	0 - 19	SLS	1000 - 1020	4	E	CLBSS	0 - 61	SSCS	1000 - 1020	4	F	RC	0 - 36	CHECSS
1020 - 1040	5	G	DBS	0 - 12	LSC	1020 - 1040	5	A	SKHLMC	0 - 24	HKUGA	1020 - 1040	5	B	CS	19 - 5	WTSMC
1040 - 1100	6	C	CSKMS	12 - 5	CYT	1040 - 1100	6	D	SLS	12 - 10	HWC	1040 - 1100	6	E	SSCS	31 - 5	KTGS
1100 - 1120	7	F	CHECSS	14 - 12	KCS	1100 - 1120	7	G	LSC	36 - 0	DMS-MR	1100 - 1120	7				
1120 - 1140	8					1120 - 1140	8					1120 - 1140	8				
1140 - 1200	9	Cup QF1	HKUGA	14 - 21	CS	1140 - 1200	9	Plate QF1	KCS	17 - 0	SKHLMC	1140 - 1200	9	Bowl SF1	WBSS	31 - 0	WTSMC
1200 - 1220	10	Cup QF2	HKSS	15 - 12	SLS	1200 - 1220	10	Plate QF2	CSWCSS	17 - 0	CSKMS	1200 - 1220	10	Bowl SF2	CLBSS	0 - 47	DMS-MR
1220 - 1240	11	Cup QF3	SSCS	14 - 0	CHECSS	1220 - 1240	11	Plate QF3	HWC	7 - 5	KTGS						
1240 - 1300	12	Cup QF4	LSC	5 - 12	DBS	1240 - 1300	12	Plate QF4	RC	29 - 5	CYT						
1300 - 1320	13	Cup 5th-8th SF	HKUGA	14 - 5	SLS	1300 - 1320	13										
1320 - 1340	14	Cup 5th-8th SF	CHECSS	12 - 12 (17 - 12)	LSC	1320 - 1340	14	Bowl Final	WBSS	19 - 12	DMS-MR						
1340 - 1400	15	Cup 1st-4th SF	CS	14 - 0	HKSS	1340 - 1400	15	Plate SF1	KCS	12 - 21	CSWCSS						
1400 - 1420	16	Cup 1st-4th SF	SSCS	12 - 5	DBS	1400 - 1420	16	Plate SF2	HWC	21 - 17	RC						
1420 - 1440	17	Cup 7/8th Final	SLS	12 - 15	LSC	1420 - 1440	17										
1440 - 1500	18	Cup 5/6th Final	HKUGA	12 - 19	CHECSS	1440 - 1500	18										
1500 - 1520	19	Cup 3/4th Final	HKSS	5 - 15	DBS	1500 - 1520	19	Plate Final	KCS	17 - 0	HWC						
1520 - 1540	20	Cup Final	CS	5 - 26	SSCS	1520 - 1540	20										
<b>Presentation</b>																	

Jointly Presented by  
Sponsored by

### Inter-School Rugby Sevens Championships 2011-2012

HK Island & Kin Secondary Schools Regional Committee, HKSSF & Hong Kong Rugby Football Union  
BOCHK Charitable Foundation  
HK Island & Kin Region Preliminary Tournament Results

#### **Pool A**

Team	HKUGA	SKHLMC	HKUGA	SKHLMC
HKUGA		21 - 0		24 - 0
SKHLMC	0 - 21		0 - 24	

Team	Played	Win	Draw	Loss	For	Against	Diff.	Points	Ranks
HKUGA	2	2	0	0	45	0	45	8	1
SKHLMC	2	0	0	2	0	45	-45	2	2
Win = 4	Draw = 2	Loss = 1	Forfeit = -1 (28:0)						

#### **Pool B**

Team	WTSMC	CSWCSS	CS
WTSMC		0 - 24	5 - 19
CSWCSS	24 - 0		3 - 14
CS	19 - 5	14 - 3	

Team	Played	Win	Draw	Loss	For	Against	Diff.	Points	Ranks
WTSMC	2	0	0	2	5	43	-38	2	3
CSWCSS	2	1	0	1	27	14	13	5	2
CS	2	2	0	0	33	8	25	8	1
Win = 4	Draw = 2	Loss = 1	Forfeit = -1 (28:0)						

#### **Pool C**

Team	CYT	HKSS	CSKMS
CYT		5 - 10	5 - 12
HKSS	10 - 5		12 - 5
CSKMS	12 - 5	5 - 12	

Team	Played	Win	Draw	Loss	For	Against	Diff.	Points	Ranks
CYT	2	0	0	2	10	22	-12	2	3
HKSS	2	2	0	0	22	10	12	8	1
CSKMS	2	1	0	1	17	17	0	5	2
Win = 4	Draw = 2	Loss = 1	Forfeit = -1 (28:0)						

#### **Pool D**

Team	HWC	WBSS	SLS
HWC		12 - 12	10 - 12
WBSS	12 - 12		0 - 19
SLS	12 - 10	19 - 0	

Team	Played	Win	Draw	Loss	For	Against	Diff.	Points	Ranks
HWC	2	0	1	1	22	24	-2	3	2
WBSS	2	0	1	1	12	31	-19	3	3
SLS	2	2	0	0	31	10	21	8	1
Win = 4	Draw = 2	Loss = 1	Forfeit = -1 (28:0)						

Jointly Presented by  
Sponsored by

### Inter-School Rugby Sevens Championships 2011-2012

HK Island & Kin Secondary Schools Regional Committee, HKSSF & Hong Kong Rugby Football Union  
BOCHK Charitable Foundation  
HK Island & Kin Region Preliminary Tournament Results

#### **Pool E**

Team	KTGS	CLBSS	SSCS
KTGS		37 - 0	5 - 31
CLBSS	0 - 37		0 - 61
SSCS	31 - 5	61 - 0	

Team	Played	Win	Draw	Loss	For	Against	Diff.	Points	Ranks
KTGS	2	1	0	1	42	31	11	5	2
CLBSS	2	0	0	2	0	98	-98	2	3
SSCS	2	2	0	0	96	5	91	8	1
Win = 4	Draw = 2	Loss = 1	Forfeit = -1 (28:0)						

#### **Pool F**

Team	KCS	RC	CHECSS
KCS		5 - 10	12 - 14
RC	10 - 5		0 - 36
CHECSS	14 - 12	36 - 0	

Team	Played	Win	Draw	Loss	For	Against	Diff.	Points	Ranks
KCS	2	0	0	2	17	24	-7	2	3
RC	2	1	0	1	10	41	-31	5	2
CHECSS	2	2	0	0	50	12	38	8	1
Win = 4	Draw = 2	Loss = 1	Forfeit = -1 (28:0)						

#### **Pool G**

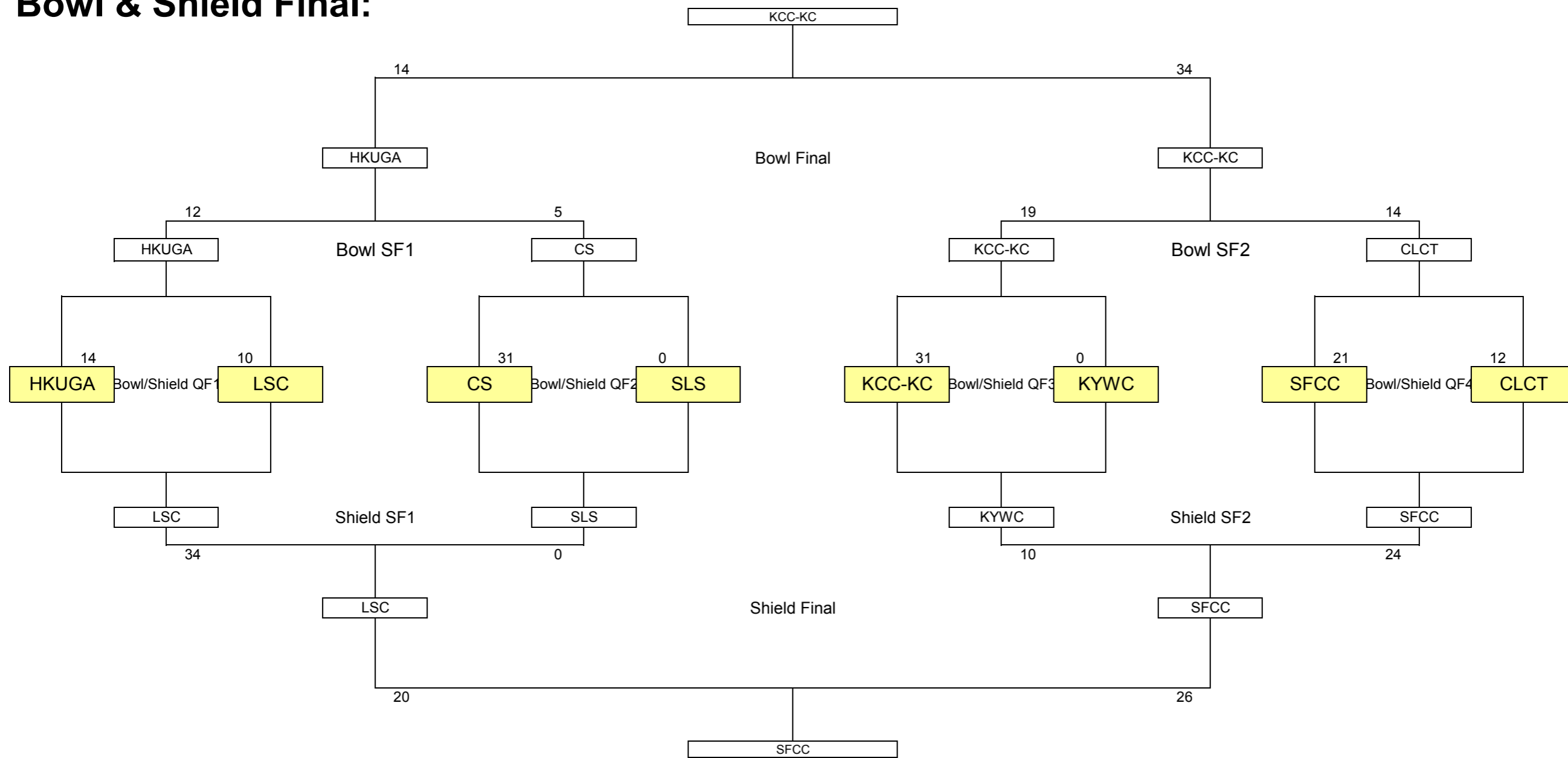
Team	DMS-MR	DBS	LSC
DMS-MR		0 - 27	0 - 36
DBS	27 - 0		0 - 12
LSC	36 - 0	12 - 0	

Team	Played	Win	Draw	Loss	For	Against	Diff.	Points	Ranks
DMS-MR	2	0	0	2	0	63	-63	2	3
DBS	2	1	0	1	27	12	25	5	2
LSC	2	2	0	0	48	0	48	8	1
Win = 4	Draw = 2	Loss = 1	Forfeit = -1 (28:0)						

# All Hong Kong Inter-Secondary Schools Rugby Sevens Competition 2011-2012

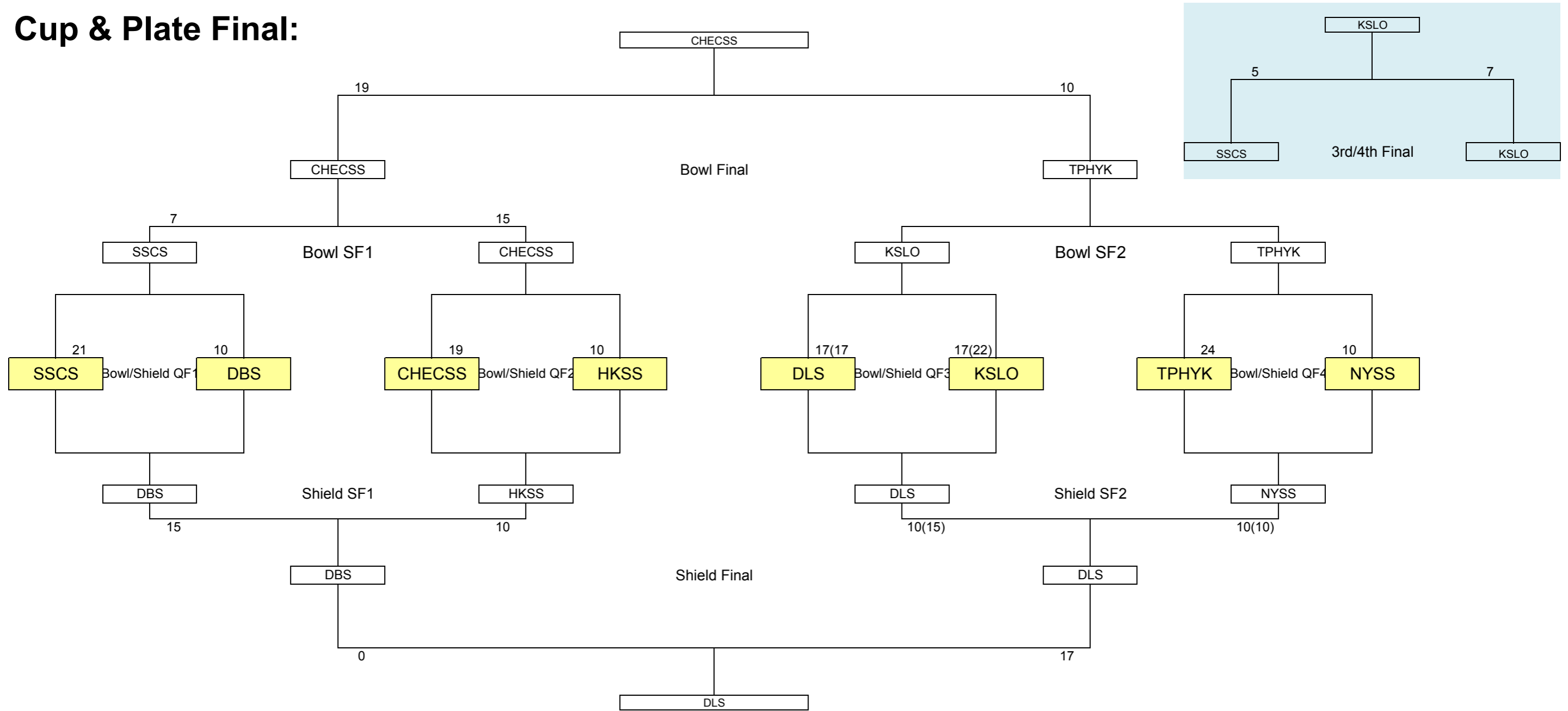
## Boys:

### Bowl & Shield Final:



# All Hong Kong Inter-Secondary Schools Rugby Sevens Competition 2011-2012

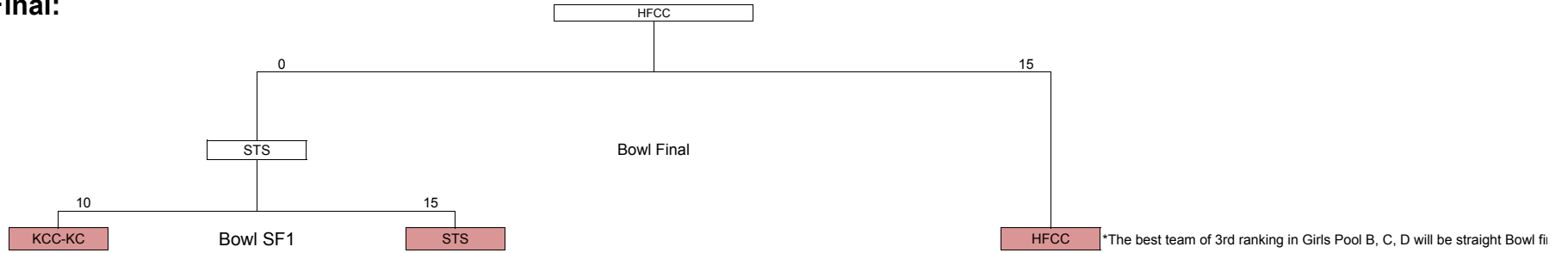
## Cup & Plate Final:



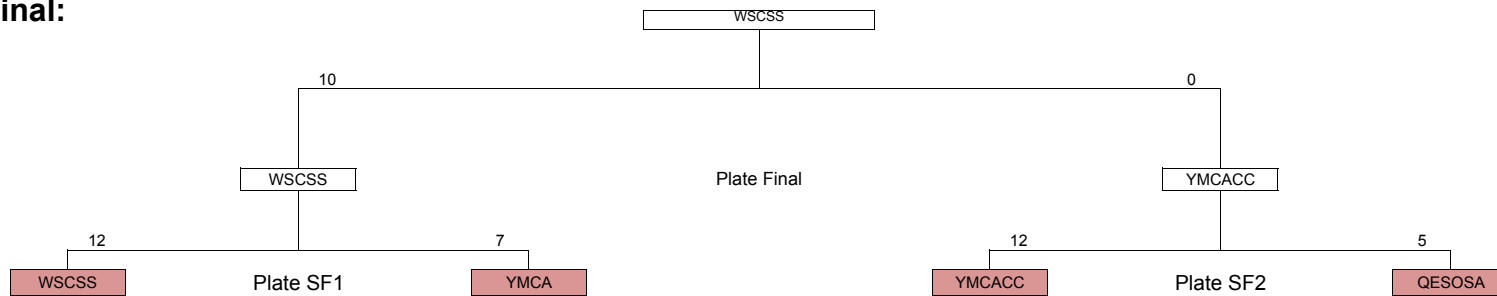
## All Hong Kong Inter-Secondary Schools Rugby Sevens Competition 2011-2012

### Girls:

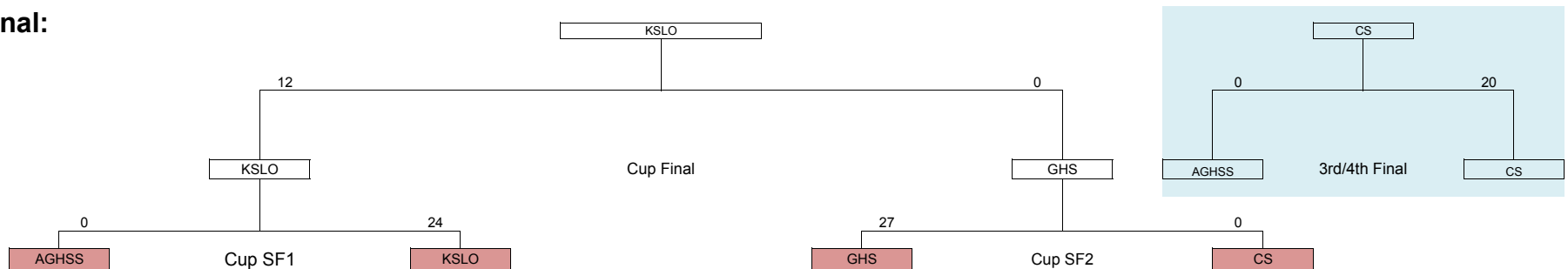
#### Bowl Final:



#### Bowl Final:



#### Cup Final:





## All Hong Kong Inter-Secondary Schools Rugby Sevens Competition 2011-2012

### Boys:

<b>CUP Champion</b>	Choi Hung Estate Catholic Secondary School 彩天
2nd	NTHYK Tai Po District Secondary School 大埔鄉中
3rd	The H. K. Management Assn. K. S. Lo College 羅桂祥
4th	St. Stephen's College 聖士提反
<b>PLATE Champion</b>	De La Salle Secondary School N.T. 新界喇沙
<b>BOWL Champion</b>	Kiangsu-Chekiang College (Kwai Chung) 葵涌蘇浙
<b>SHIELD Champion</b>	H.K. & Kln. Kaifong Women's Association Sun Fong Chung College 孫方中

### Girls:

<b>CUP Champion</b>	The H. K. Management Assn. K. S. Lo College 羅桂祥
2nd	Good Hope School 德望
3rd	Carmel Secondary School 迦密
4th	Assembly of God Hebron Secondary School 康樂
<b>PLATE Champion</b>	POCA Wong Siu Ching Secondary School 王少清
<b>BOWL Champion</b>	Holy Family Canossian College 聖家

## All Hong Kong Inter-Secondary Schools Rugby Sevens Competition 2011-2012

Schedule Updated: 7-5-12

Date: 17-5-2012

Grade: B&C

Format: 7-a-side

Match Time: 7min halves, 1 min break

### Boys(16Teams)

<b>Pool A :</b>	SSCS 聖士提反	KSLO 羅桂祥	HKUGA 港大同學會	KYWC 郭一葦
<b>Pool B :</b>	KCC-KC 葵涌蘇浙	DBS 男拔萃	DLS 新界喇沙	LSC 喇沙書院
<b>Pool C :</b>	CS 迦密	NYSS 五育	CHECSS 彩天	CLCT 陳呂重德
<b>Pool D :</b>	SFCC 孫方中	HKSS 航海	TPHYK 大埔鄉中	SLS 聖類斯

### Girls (11Teams)

<b>Pool A :</b>	AGHSS 康樂	WSCSS 王少清	
<b>Pool B :</b>	KSLO 羅桂祥	KCC-KC 葵涌蘇浙	YMCA 青年會
<b>Pool C :</b>	GHS 德望	YMCACC 基信	HFCC 聖家
<b>Pool D :</b>	STS 西貢崇真	QESOSA 伊中舊生會	CS 迦密

\*The best team of 3rd ranking in Girls Pool B, C, D will be straight Bowl final

Pitch 1					Pitch 2					Pitch 3							
Time	Game	Pool	Team	RESULT	Team	Time	Game	Pool	Team	RESULT	Team	Time	Game	Pool	Team	RESULT	Team
0900 - 0920	1	A	SSCS 聖士提反	19 - 7	KSLO 羅桂祥	0900 - 0920	1	A	HKUGA 港大同學會	15 - 7	KYWC 郭一葦	0900 - 0920	1				
0920 - 0940	2	B	KCC-KC 葵涌蘇浙	0 - 0	DBS 男拔萃	0920 - 0940	2	B	DLS 新界喇沙	12 - 5	LSC 喇沙書院	0920 - 0940	2				
0940 - 1000	3	C	CS 迦密	0 - 24	NYSS 五育	0940 - 1000	3	C	CHECSS 彩天	14 - 0	CLCT 陳呂重德	0940 - 1000	3				
1000 - 1020	4	D	SFCC 孫方中	12 - 12	HKSS 航海	1000 - 1020	4	D	TPHYK 大埔鄉中	38 - 0	SLS 聖類斯	1000 - 1020	4				
1020 - 1040	5	A	KYWC 郭一葦	0 - 45	SSCS 聖士提反	1020 - 1040	5	A	KSLO 羅桂祥	12 - 5	HKUGA 港大同學會	1020 - 1040	5	B	KSLO 羅桂祥	31 - 0	KCC-KC 葵涌蘇浙
1040 - 1100	6	B	LSC 喇沙書院	5 - 31	KCC-KC 葵涌蘇浙	1040 - 1100	6	B	DBS 男拔萃	5 - 5	DLS 新界喇沙	1040 - 1100	6	C	GHS 德望	20 - 5	YMCACC 基信
1100 - 1120	7	C	CLCT 陳呂重德	7 - 26	CS 迦密	1100 - 1120	7	C	NYSS 五育	5 - 7	CHECSS 彩天	1100 - 1120	7	D	STS 西貢崇真	0 - 32	QESOSA 伊中舊生會
1120 - 1140	8	D	SLS 聖類斯	0 - 28	SFCC 孫方中	1120 - 1140	8	D	HKSS 航海	0 - 19	TPHYK 大埔鄉中	1120 - 1140	8	A	AGHSS 康樂	15 - 7	WSCSS 王少清
1140 - 1200	9	A	KSLO 羅桂祥	12 - 7	KYWC 郭一葦	1140 - 1200	9	A	SSCS 聖士提反	21 - 12	HKUGA 港大同學會	1140 - 1200	9	B	KCC-KC 葵涌蘇浙	0 - 22	YMCA 青年會
1200 - 1220	10	B	DBS 男拔萃	17 - 0	LSC 喇沙書院	1200 - 1220	10	B	KCC-KC 葵涌蘇浙	14 - 19	DLS 新界喇沙	1200 - 1220	10	C	YMCACC 基信	12 - 5	HFCC 聖家
1220 - 1240	11	C	NYSS 五育	10 - 0	CLCT 陳呂重德	1220 - 1240	11	C	CS 迦密	7 - 31	CHECSS 彩天	1220 - 1240	11	D	QESOSA 伊中舊生會	0 - 24	CS 迦密
1240 - 1300	12	D	HKSS 航海	19 - 12	SLS 聖類斯	1240 - 1300	12	D	SFCC 孫方中	0 - 50	TPHYK 大埔鄉中	1240 - 1300	12	A	WSCSS 王少清	20 - 20	AGHSS 康樂
1300 - 1320	13	Bowl/Shield QF1	HKUGA 港大同學會	14 - 10	LSC 喇沙書院	1300 - 1320	13	Bowl/Shield QF3	KCC-KC 葵涌蘇浙	31 - 0	KYWC 郭一葦	1300 - 1320	13	B	YMCA 青年會	0 - 24	KSLO 羅桂祥
1320 - 1340	14	Bowl/Shield QF2	CS 迦密	31 - 0	SLS 聖類斯	1320 - 1340	14	Bowl/Shield QF4	SFCC 孫方中	12 - 21	CLCT 陳呂重德	1320 - 1340	14	C	HFCC 聖家	0 - 27	GHS 德望
1340 - 1400	15	Cup/Plate QF1	SSCS 聖士提反	21 - 10	DBS 男拔萃	1340 - 1400	15	Cup/Plate QF3	DLS 新界喇沙	17 - 22	KSLO 羅桂祥	1340 - 1400	15	D	CS 迦密	23 - 5	STS 西貢崇真
1400 - 1420	16	Cup/Plate QF2	CHECSS 彩天	19 - 10	HKSS 航海	1400 - 1420	16	Cup/Plate QF4	TPHYK 大埔鄉中	14 - 10	NYSS 五育						
1420 - 1440	17	Shield SF1	KYWC 郭一葦	10 - 24	SFCC 孫方中	1420 - 1440	17	Shield SF2	LSC 喇沙書院	34 - 0	SLS 聖類斯						
1440 - 1500	18	Bowl SF1	KCC-KC 葵涌蘇浙	19 - 14	CLCT 陳呂重德	1440 - 1500	18	Bowl SF2	HKUGA 港大同學會	12 - 5	CS 迦密						
1500 - 1520	19	Plate SF1	DBS 男拔萃	15 - 10	HKSS 航海	1500 - 1520	19	Girls Bowl SF1	KCC-KC 葵涌蘇浙	10 - 15	STS 西貢崇真						
1520 - 1540	20	Plate SF2	DLS 新界喇沙	15 - 10	NYSS 五育	1520 - 1540	20	Girls Plate SF1	WSCSS 王少清	12 - 7	YMCA 青年會						
1540 - 1600	21	Cup SF1	SSCS 聖士提反	7 - 15	CHECSS 彩天	1540 - 1600	21	Girls Plate SF2	YMCACC 基信	12 - 5	QESOSA 伊中舊生會						
1600 - 1620	22	Cup SF2	KSLO 羅桂祥	7 - 21	TPHYK 大埔鄉中	1600 - 1620	22	Girls Cup SF1	AGHSS 康樂	0 - 24	KSLO 羅桂祥						
1620 - 1640	23	Shield Final	LSC 喇沙書院	20 - 26	SFCC 孫方中	1620 - 1640	23	Girls Cup SF2	GHS 德望	27 - 0	CS 迦密						
1640 - 1700	24	Bowl Final	HKUGA 港大同學會	14 - 34	KCC-KC 葵涌蘇浙	1640 - 1700	24	Girls Bowl Final	STS 西貢崇真	0 - 15	HFCC 聖家						
1700 - 1720	25	Plate Final	DBS 男拔萃	0 - 17	DLS 新界喇沙	1700 - 1720	25	Girls Plate Final	WSCSS 王少清	10 - 0	YMCACC 基信						
1720 - 1740	26	Cup 3/4th Final	SSCS 聖士提反	5 - 7	KSLO 羅桂祥	1720 - 1740	26	Girls 3/4th Final	AGHSS 康樂	0 - 20	CS 迦密						
1740 - 1800	27	Cup Final	CHECSS 彩天	19 - 10	TPHYK 大埔鄉中	1740 - 1800	27	Girls Cup Final	KSLO 羅桂祥	12 - 0	GHS 德望						

## Presentation