

Inter-School Table Tennis Competition Division One 2019-2020  
Boys A Grade Result

Group 1

No	School															League Points :				Pt	Po	DP	Re		
		1	2	3	4	5	6	7	8	9	10	11	12	13	14	15	2	0	1					-2	
		1 vs 6	2 vs 5	3 vs 4	5 vs 1	6 vs 4	2 vs 3	1 vs 4	5 vs 3	6 vs 2	3 vs 1	4 vs 2	5 vs 6	1 vs 2	3 vs 6	4 vs 5	P	W	D	L	WO				
1	LSC	3 W			3 W			3 W			3 W			3 W			5	5	0	0	0	10	1	F	
2	WYK		3 W				0 L			3 W		3 W		0 L			5	3	0	2	0	8	4	6	
3	PLKLC			3 W			3 W		1 L		2 L				3 W		5	3	0	2	0	8	2	F	
4	WYHK			1 L		3 W		0 L			1 L				0 L		5	1	0	4	0	6	5	4	
5	FSS-KT		2 L		1 L				3 W				3 W		3 W		5	3	0	2	0	8	3	F	
6	MFS	0 L				1 L				1 L			0 L		0 L		5	0	0	5	0	5	6	3	

\*\* According to the general rules of inter-school table tennis competition

Classification of teams

3.4 WYK:  $(0+3) / (3+2) = 0.6$

PLKLC =  $(3+1) / (0+3) = 1.333$

FSS-KT =  $(2+3) / (3+1) = 1.25$

Group 2

No	School															League Points :				Pt	Po	DP	Re		
		1	2	3	4	5	6	7	8	9	10	11	12	13	14	15	2	0	1					-2	
		1 vs 6	2 vs 5	3 vs 4	5 vs 1	6 vs 4	2 vs 3	1 vs 4	5 vs 3	6 vs 2	3 vs 1	4 vs 2	5 vs 6	1 vs 2	3 vs 6	4 vs 5	P	W	D	L	WO				
1	DBS	3 W			3 W			3 W			3 W			3 W			5	5	0	0	0	10	1	F	
2	YWC		3 W				3 W			3 W		3 W		0 L			5	4	0	1	0	9	2	F	
3	QC			1 L			0 L		3 W		0 L				0 L		5	1	0	4	0	6	5	4	
4	SJC			3 W		3 W		0 L				1 L			3 W		5	3	0	2	0	8	3	F	
5	SPC		0 L		0 L				2 L				0 L		0 L		0	0	5	0	0	5	6	3	
6	HW	0 L				0 L				0 L			3 W		3 W		5	2	0	3	0	7	4	6	

**Legend:** P=Play W=Win D=Draw L=Loss WO=Walk Over

Pt=Points Po=Position DP=Division Points Re=Remarks DNP=Did Not Participate

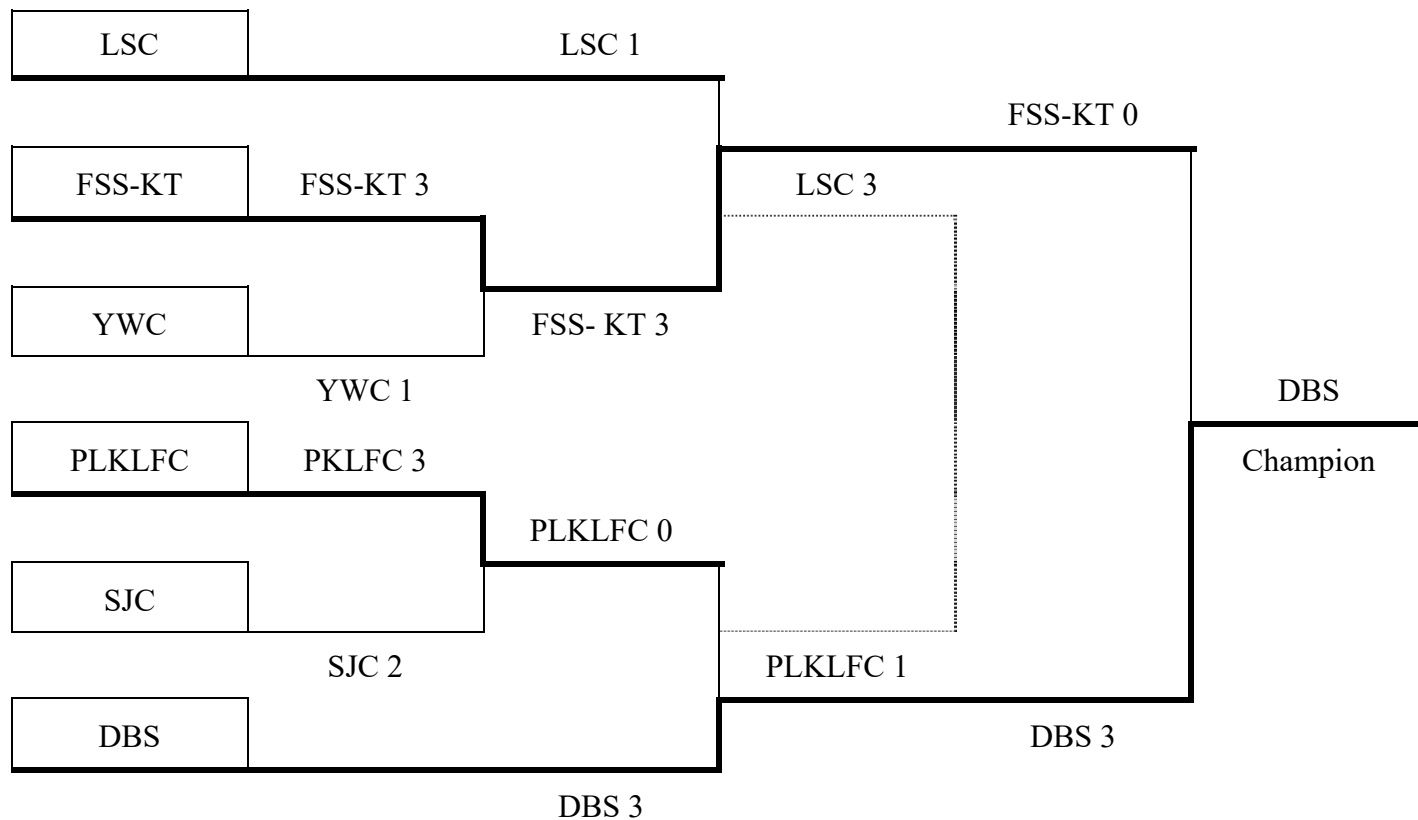
To: Schools Concerned  
Date: 11 November 2019

Li Sau Sau  
Convenor

Inter-School Table Tennis Competition Division One 2019-2020  
Boys A Grade Knock Out Finals Results

Date: 29<sup>th</sup> November 2019

Venue: Shun Lee Tsuen Sports Centre



1 <sup>st</sup>	DBS	(18)	3 <sup>rd</sup>	LSC	(12)	5 <sup>th</sup>	YWC	(8)
2 <sup>nd</sup>	FSS-KT	(14)	4 <sup>th</sup>	PLKLFC	(10)	5 <sup>th</sup>	SJC	(8)

Li Sau Sau  
 Convenor

To: Schools in Div. I Boys A Grade  
 Date: 5<sup>th</sup> December 2019